



Product Part Number

CKO - CW15 - 075033 - 4021

✓ Model Number Definitions

CKO-XXXX-XXXXXX-XXXX

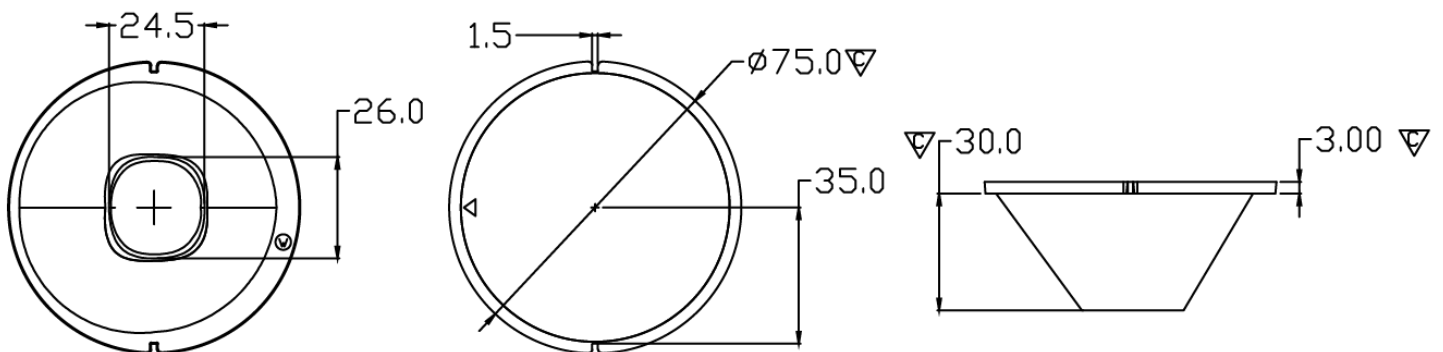


- A. Chun Kuang Optics Corp. Product
- B. Product Type: product abbreviation
Ex:
MX→Multi 33 in 1
SW→Single Wall Washer
CW→Wall Washer for CoB LED
HC→Holder for CoB LED

- C. Identity Code
- D. Lens / Fixture Size
Ex: 075026=Φ75mm / Thickness=26mm (round up)
- E. Serial Numbers

The lens datasheet is applicable for **Luminus LED**, that manufactured by Chun Kuang Optics Corp.

✓ Dimensions (mm) : Φ75x33



▽:Critical Dimension

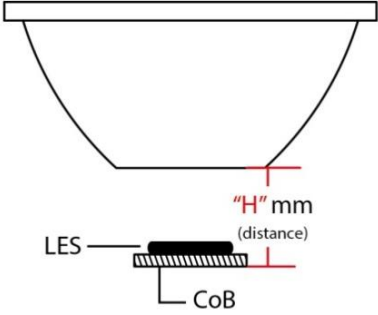


✓ Optical Characteristics – Angle Performances

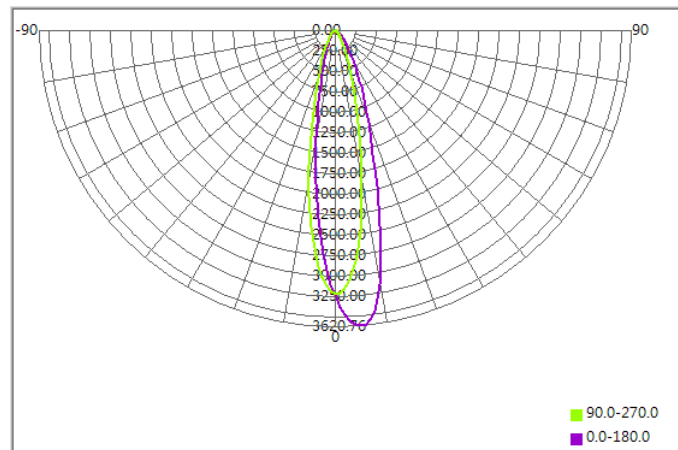
Luminus	LED LES (mm)	FWHM (degrees)	Tilt Angle
CLM-14-AC40	Φ14.5	23°x23°	5°



Optical Characteristics

Part Number	CKO-CW15-075033-4021		"H" definition 
LED	CLM-14-AC40		
LES / LED Size	Φ 14.5 mm		
FWHM (D50)	23°x23°		
H (distance)	3.65 mm		
Dimension	Φ =75 mm, Thickness=33 mm		
Luminous Flux	2435 lm	Measured @ 16.5 W	
Material	PC / UL94V2		

cd/klm



Illuminance At Distances

