



Product Part Number

CKO - CW19 - 045017 - 0301

✓ Model Number Definitions

CKO-XXXX-XXXXXX-XXXX

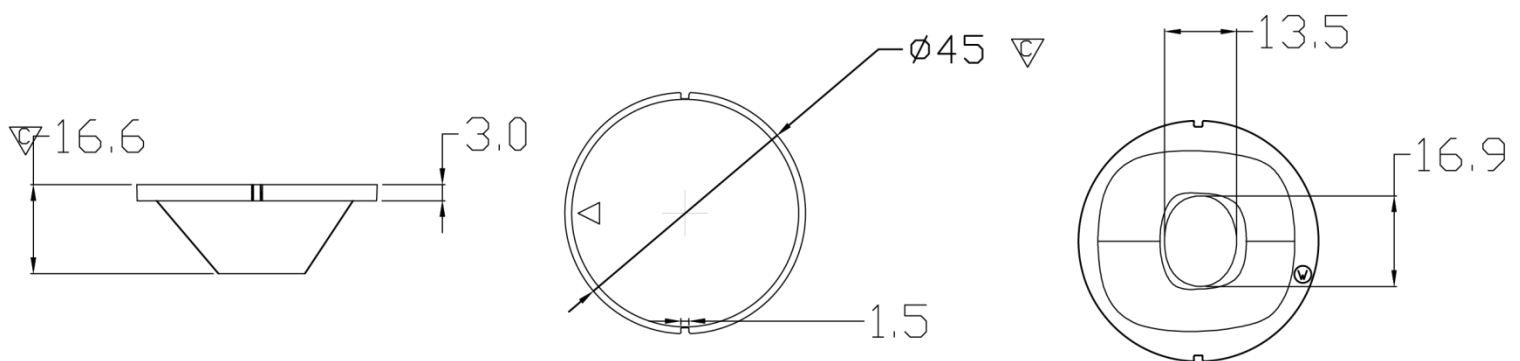


- A. Chun Kuang Optics Corp. Product
- B. Product Type: product abbreviation
Ex:
MX→Multi 33 in 1
SW→Single Wall Washer
CW→Wall Washer for CoB LED
HC→Holder for CoB LED

- C. Identity Code
- D. Lens / Fixture Size
Ex: 075026=Φ75mm / Thickness=26mm (round up)
- E. Serial Numbers

The lens datasheet is applicable for **Luminus LED**, that manufactured by Chun Kuang Optics Corp.

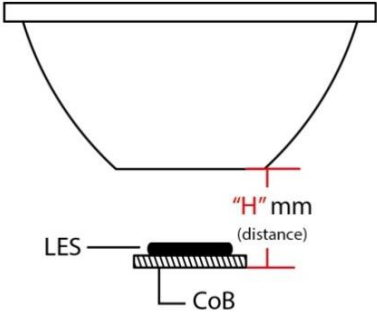
✓ Dimensions (mm) : Φ45x16.6



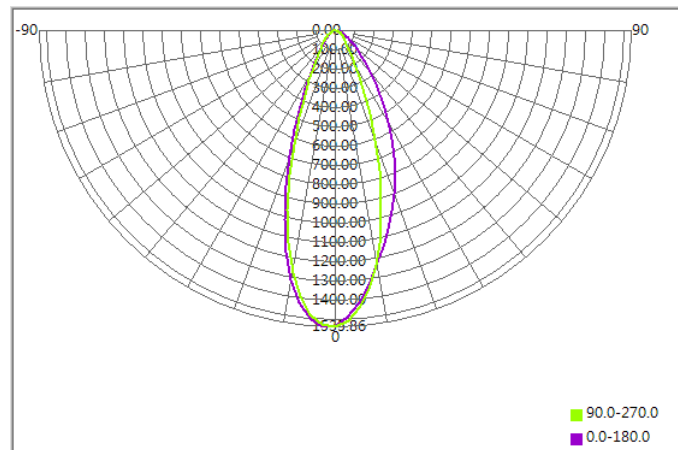
▽:Critical Dimension



Optical Characteristics

Part Number	CKO-CW19-045017-0301		"H" definition 
LED	CXM-9-AC40		
LES / LED Size	Φ 9.8 mm		
FWHM (D50)	43°x35°		
H (distance)	3.65mm		
Dimension	Φ =45 mm, Thickness=16.6 mm		
Luminous Flux	1364 lm	Measured @ 12.4 W	
Material	PC / UL94V2		

cd/klm



Illuminance At Distances

