

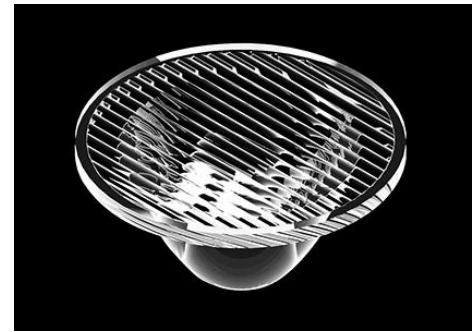


Product Model Number

CKO-SA15-060027-4209

✓ Model Number Definitions

CKO-XXXX-XXXXXX-XXXX

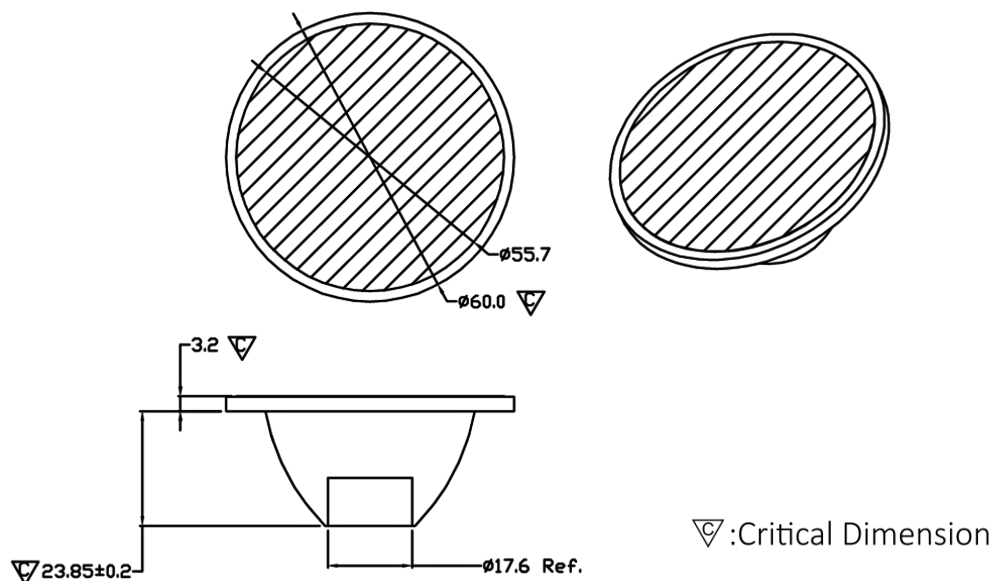


- A. Chun Kuang Optics Corp. Product
- B. Product Type: product abbreviation
Ex:
CH→CoB High Intensity
CC→CoB Compact
CS→Soft Shading for CoB LED
HC→Holder for CoB LED

- C. Identity Code
- D. Lens / Fixture Size
Ex: 075026=Φ75mm / Thickness=26mm (round up)
- E. Serial Numbers

The lens datasheet is applicable for **Luminus LED**, that manufactured by Chun Kuang Optics Corp.

✓ Dimensions (mm) : Φ60 x 26.85



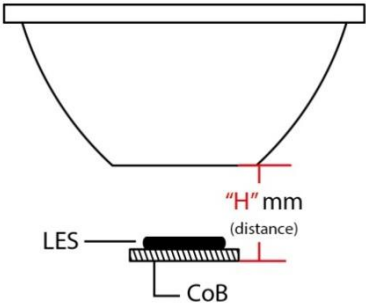


✓ **Optical Characteristics – Angle Performances**

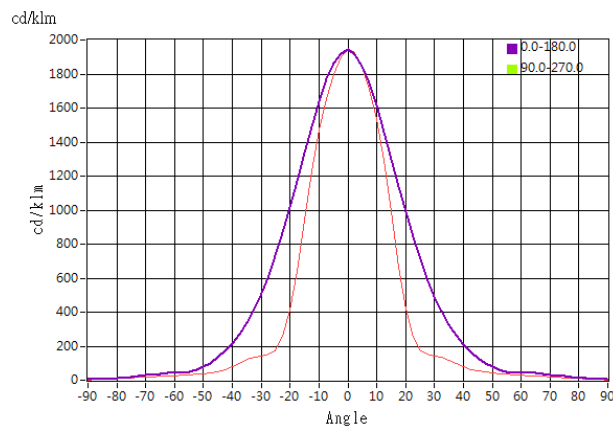
Luminus	LED LES (mm)	FWHM (degrees)	Field Angle (degrees)
CXM-9-AC30	Φ9.6	30°x41°	49°x82°
CXM-9-AC40	Φ9.8	30°x41°	47°x82°
CXM-11-AC30	Φ11.7	33°x42°	51°x83°



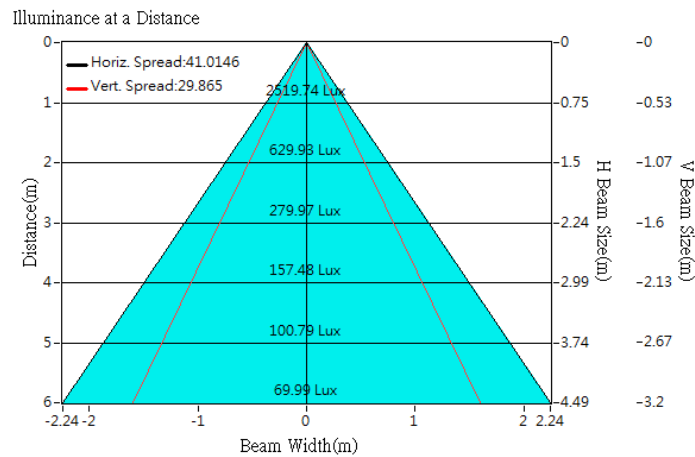
Optical Characteristics

Model Number	CKO-SA15-060027-4209	<p>"H" definition</p> 
LED	CXM-9-AC30	
LES / LED Size	Φ 9.6 mm	
FWHM (D50)	30°x41°	
Field Angle (D10)	49°x82°	
H (distance)	3.65 mm	
Dimension	Φ =60 mm, Thickness=26.85 mm	
Luminous Flux	1296 lm Measured @ 12.1 W	
Material	PC / UL94V2	

cd/klm



Illuminance At Distances

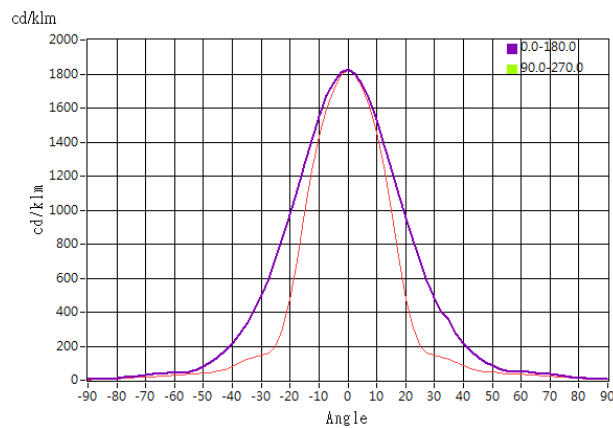




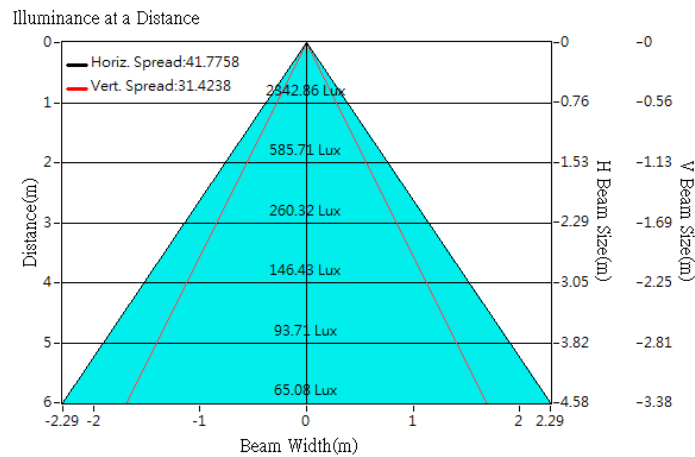
Optical Characteristics

Model Number	CKO-SA15-060027-4209		<p>"H" definition</p>
LED	CXM-9-AC40		
LES / LED Size	Φ 9.8 mm		
FWHM (D50)	31°x42°		
Field Angle (D10)	52°x84°		
H (distance)	3.65 mm		
Dimension	Φ =60 mm, Thickness=26.85 mm		
Luminous Flux	1283 lm	Measured @ 12.4 W	
Material	PC / UL94V2		

cd/klm

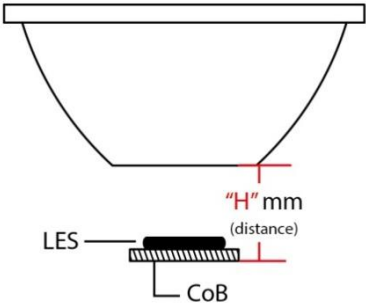


Illuminance At Distances

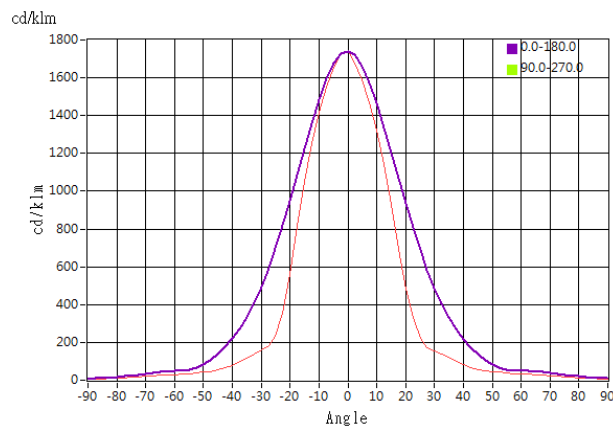




Optical Characteristics

Model Number	CKO-SA15-060027-4209	<p>"H" definition</p> 
LED	CXM-11-AC30	
LES / LED Size	Φ 11.7 mm	
FWHM (D50)	33°x43°	
Field Angle (D10)	56°x85°	
H (distance)	3.65 mm	
Dimension	Φ =60 mm, Thickness=26.85 mm	
Luminous Flux	1569 lm Measured @ 15.6 W	
Material	PC / UL94V2	

cd/klm



Illuminance At Distances

