



Product Model Number

CKO-SA18-035018-1309

✓ Model Number Definitions

CKO-XXXX-XXXXXX-XXXX

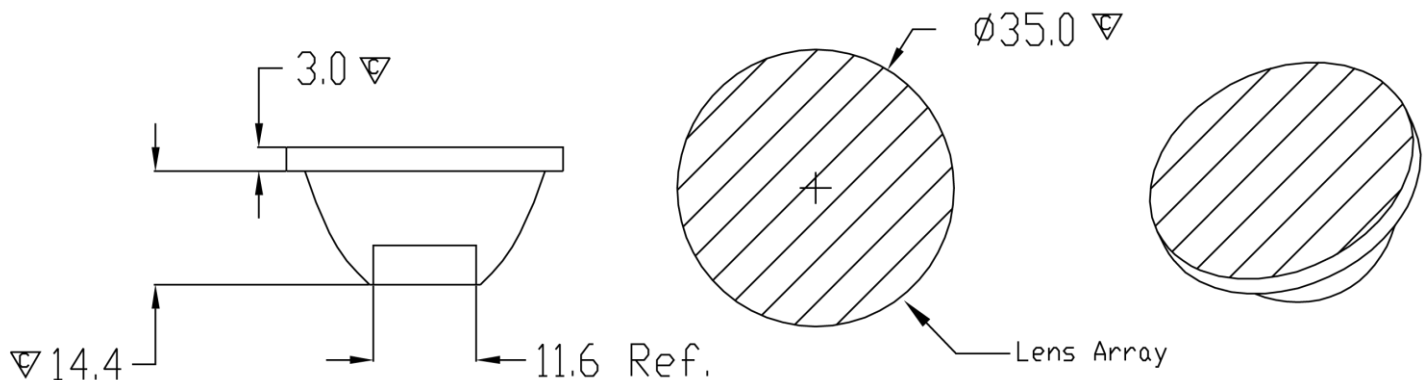


- A. Chun Kuang Optics Corp. Product
- B. Product Type: product abbreviation
Ex:
CH→CoB High Intensity
CC→CoB Compact
CS→Soft Shading for CoB LED
HC→Holder for CoB LED

- C. Identity Code
- D. Lens / Fixture Size
Ex: 075026=Φ75mm / Thickness=26mm (round up)
- E. Serial Numbers

The lens datasheet is applicable for **Lumileds LED**, that manufactured by Chun Kuang Optics Corp.

✓ Dimensions (mm) : Φ35 x 17.4



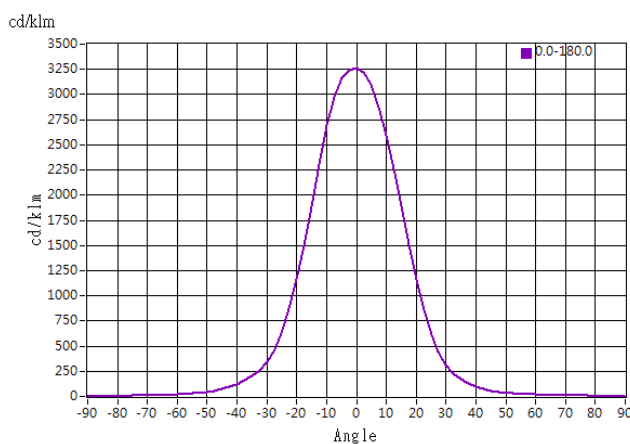
▽:Critical Dimension



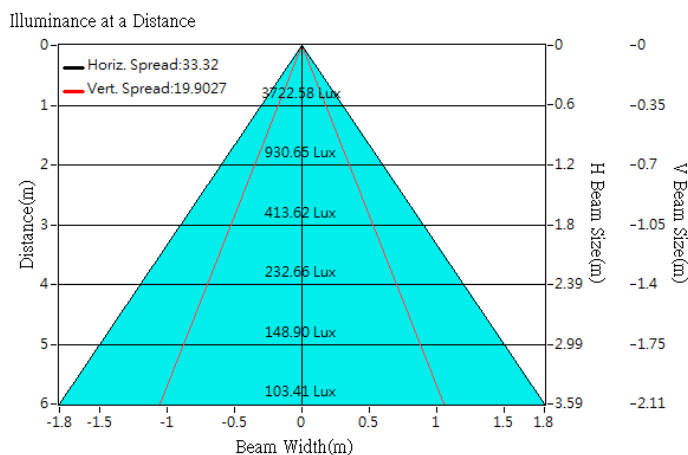
Optical Characteristics

Model Number	CKO-SA18-035018-1309	<p>"H" definition</p>
LED	LUXEON 1202 HD	
LES / LED Size	Φ 6.5 mm	
FWHM (D50)	19°x33°	
Field Angle (D10)	45°x60°	
H (distance)	2.5 mm	
Dimension	Φ =35 mm, Thickness= 17.4 mm	
Luminous Flux	1140 lm	
Material	PC / UL94V2	

cd/klm



Illuminance At Distances

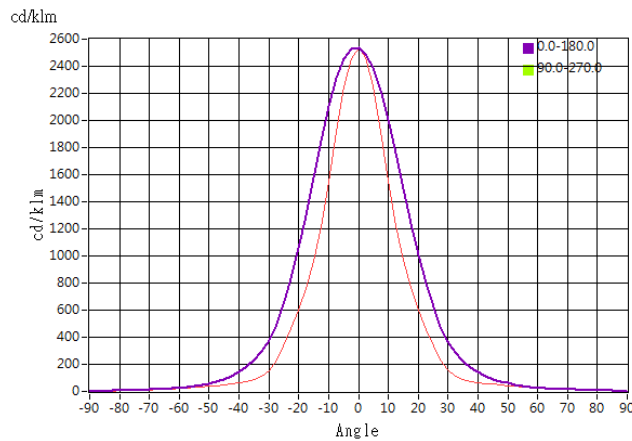




Optical Characteristics

Model Number	CKO-SA18-035018-1309		<p>"H" definition</p>
LED	LUXEON 1203		
LES / LED Size	Φ 9 mm		
FWHM (D50)	24°x35°		
Field Angle (D10)	54°x68°		
H (distance)	2.5 mm		
Dimension	Φ =35 mm, Thickness= 17.4 mm		
Luminous Flux	786 lm	Measured @ 11.1 W	
Material	PC / UL94V2		

cd/klm



Illuminance At Distances

